

# Real Carriage Door Company™



## *Automatic Sliding Door System*

---

*AO-SB / AO-SG*

Information and specifications

# AOSB/AOSG Automatic Sliding System

## Technical data

Running time	maximum 30 seconds	
Supply voltage	AC 120 V	
Rated frequency	50/60 Hz	
Storage locations in the radio receiver	20	
Lighting	2 x maximum 60 W, standard bulb (not included in the package)	
Battery in the transmitter	Type CR 2032, 3 V	
Operational temperature range:	-4 °F to +122 °F (-20 °C to +50 °C)	
Protection system	IP 20	
Working environment based emission value	< 75 dBA – operator only	
Max. pulling and pushing force	550 N*	800 N
Rated pulling force	165 N	240 N
Rated current consumption*	1.4 A	1.6 A
Rated power consumption*	150 W	160 W
Max. speed**	5.9 in/s (150 mm/s)	5.1 in/s (130 mm/s)
Power consumption Standby	approx. 6 W	

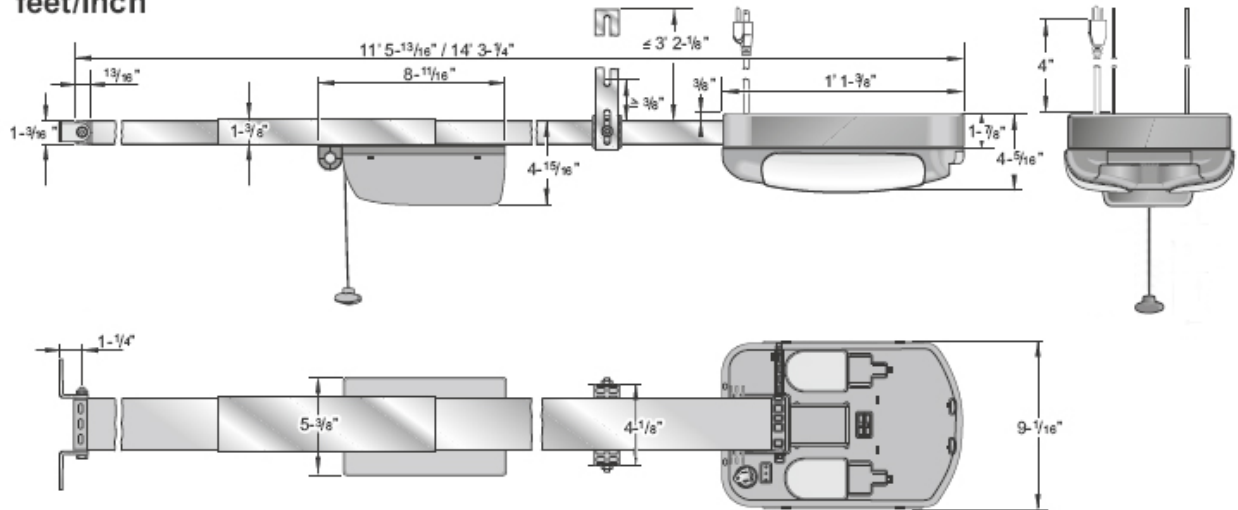
\*1 Newton = 0.225 lbs. force



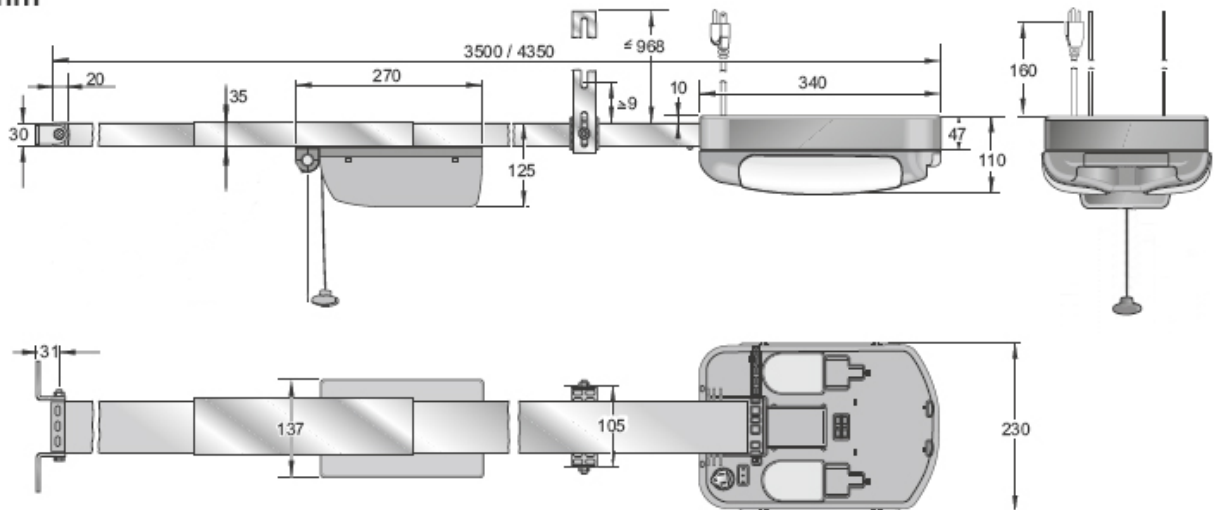
# AOSB/AOSG Automatic Sliding System

## Dimensions

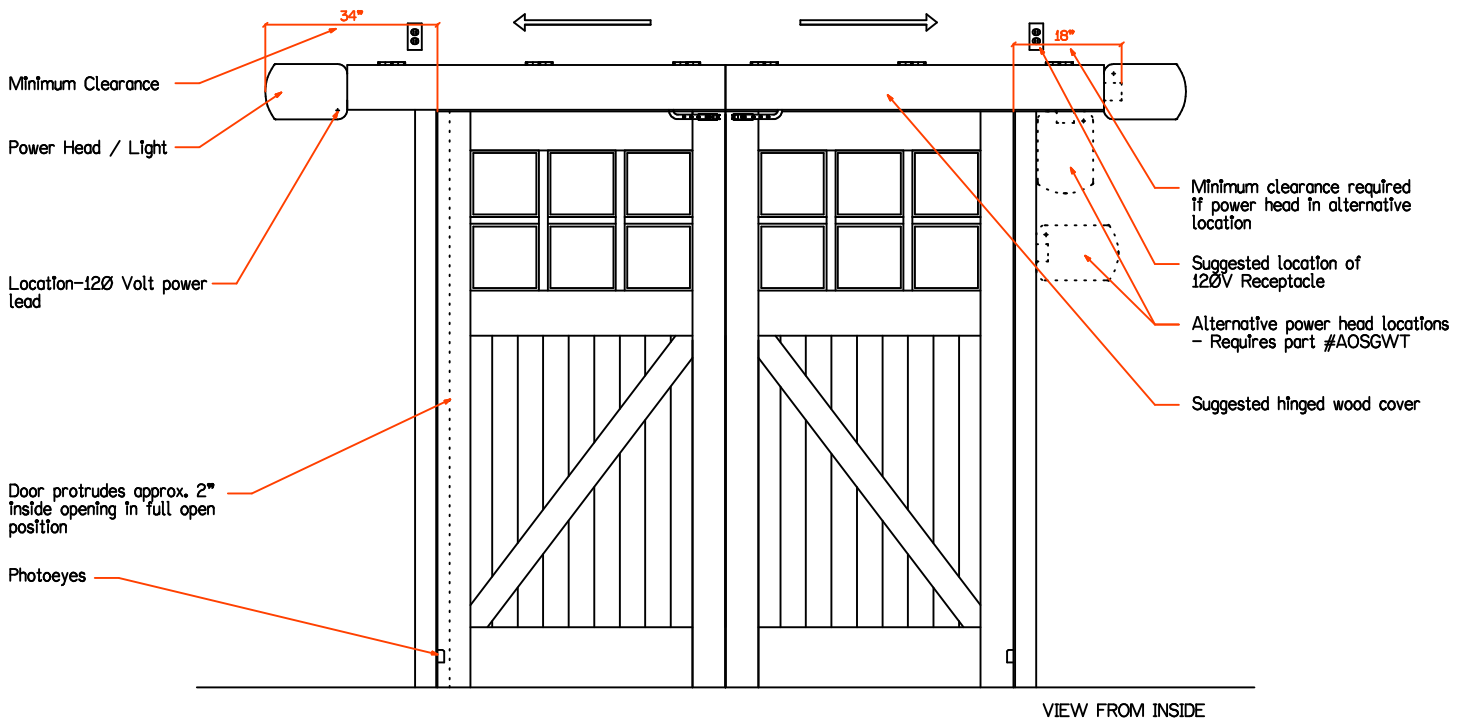
feet/inch



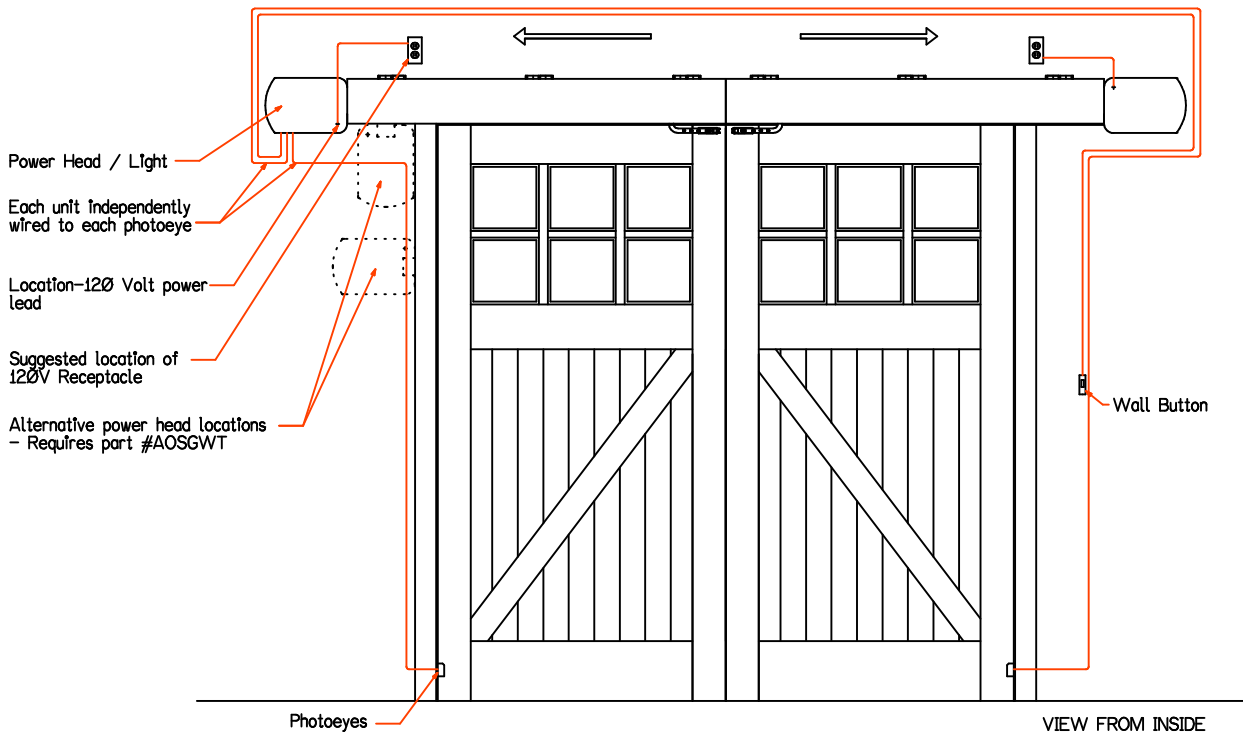
mm



# AOSB Automatic Sliding System (Bi-Parting)

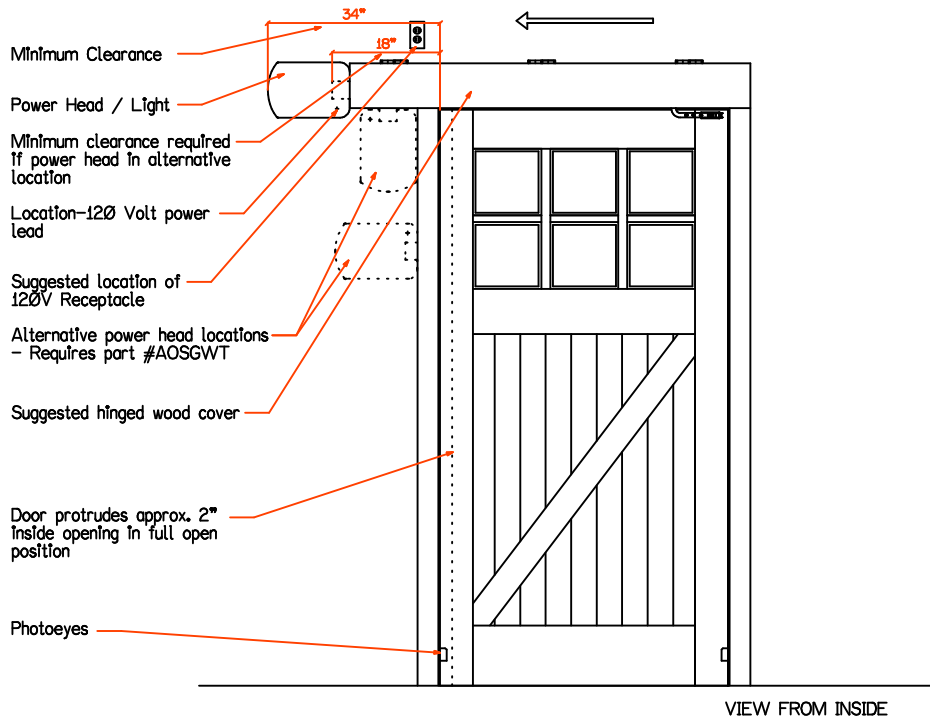


General Schematic

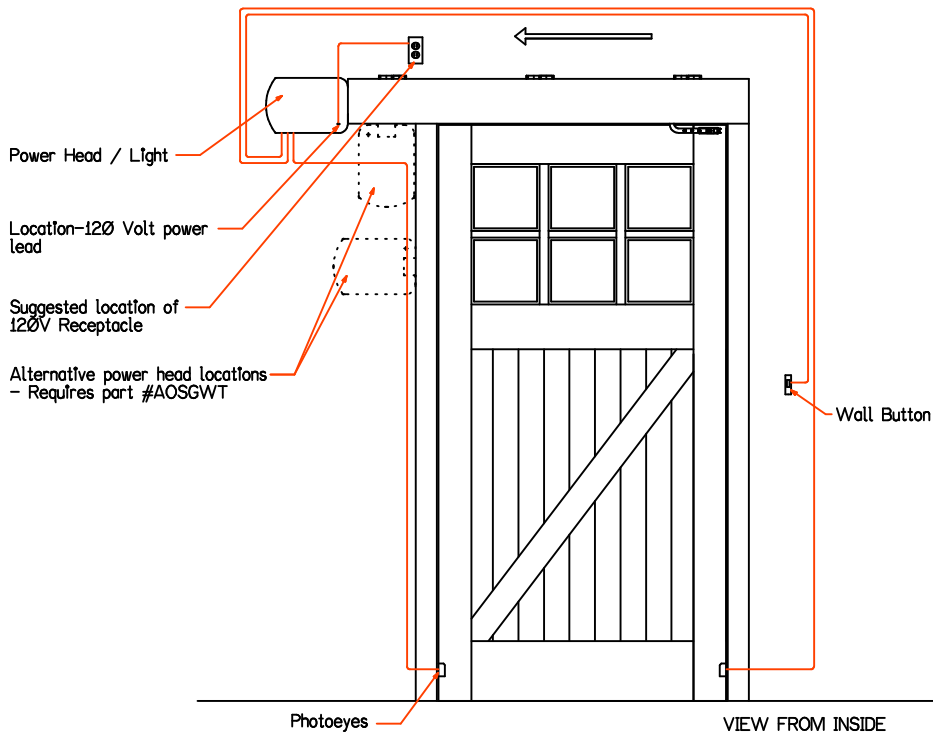


Wiring Schematic

# AOSG Automatic Sliding System (Single)



## General Schematic



## Wiring Schematic