

Real Carriage Door CompanyTM



Wall Mount Opener

AOWM

Information and specifications

AOWM Wall-Mounted Automatic Opener

FEATURES:

The AOWM automatic opener is a sophisticated and programmable opener for outswing or inswing carriage door applications. It boasts a powerful gearmotor that runs on low voltage current via a 100VA transformer. For typical dual door setups, the AOWM mounts securely to the header above the door, swinging its articulating arm to open doors up to 110 degrees. In contrast to worm-drive overhead automatic openers, the AOWM works fluidly and is whisper quiet, now making it possible to automate doors in finished living spaces. Upon closing, the system will be mechanically locked, eliminating the need for manual locks.

Housed in a sleek, metallic cover, the AOWM needs just 6 inches of clearance above the door jamb. And unlike the ceiling mounted openers, leaves the ceiling plane unobstructed by unsightly machinery.

The dual door operating motors are wired into a control panel and box with LED display for door programming. Once programmed, the settings will remain even if power is lost.

Programmable settings include:

- Force setting determines at which force the doors will stop operating for safety
- Autoclose eliminates need to close doors after exiting
- Delay setting eliminates obstruction of master door by the secondary door during opening/closing cycles

Each AOWM includes the following:

- 2 Gearmotor operators
- 1 Control panel
- 1 Four button remote (+1 additional remote per opening)
- 1 Wall Push button
- Necessary cable
- 1 Set photoeyes (safety device)
- 2 Limit switches
- 24V Battery Backup Kit
- All necessary hardware for typical installation

Also included is an easy to follow pictorial manual with step-by-step instructions to guide you through the installation process.



Battery Backup Kit



4-Button Remote



Photo Eyes

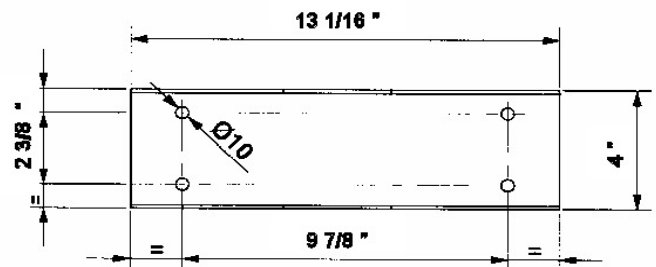
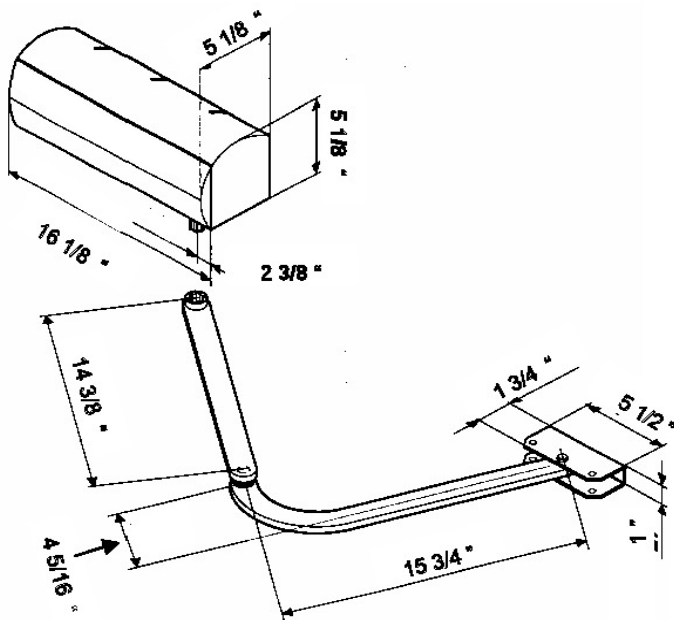
AOWM Wall-Mounted Automatic Opener

Specifications

MODEL: Wall Mount AOWM1

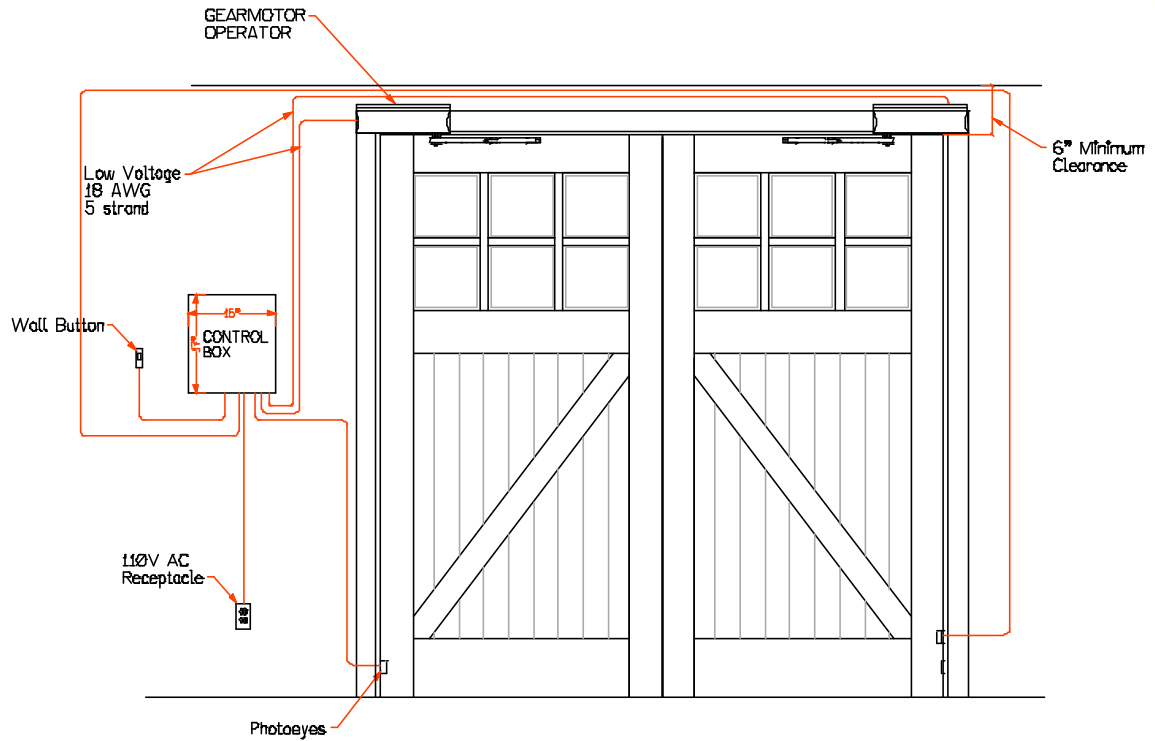
Power supply	115V AC/ 24V AC
Rated absorbed power (Amperage pull on a 120V AC outlet)	3 Amp/single 5 Amp/dual
Max torque (Nm)	200
Motor RPM	960
Use frequency (cycles/hour)	> 100
Operating ambient temperature	-4 to 131 Deg F
Gearmotor weight (lbs)	25
Protection class	IP44
Door leaf max length (ft.)	Up to 10
Door leaf max weight (lbs.)	Up to 450
Operator overall dimensions LxHxD(in.)	See below
Angular velocity	8 Degrees / Second

Meets or exceeds UL 325 safety standards.



AOWM Wall-Mounted Automatic Opener

Square Door Schematic



Arched Door Schematic

